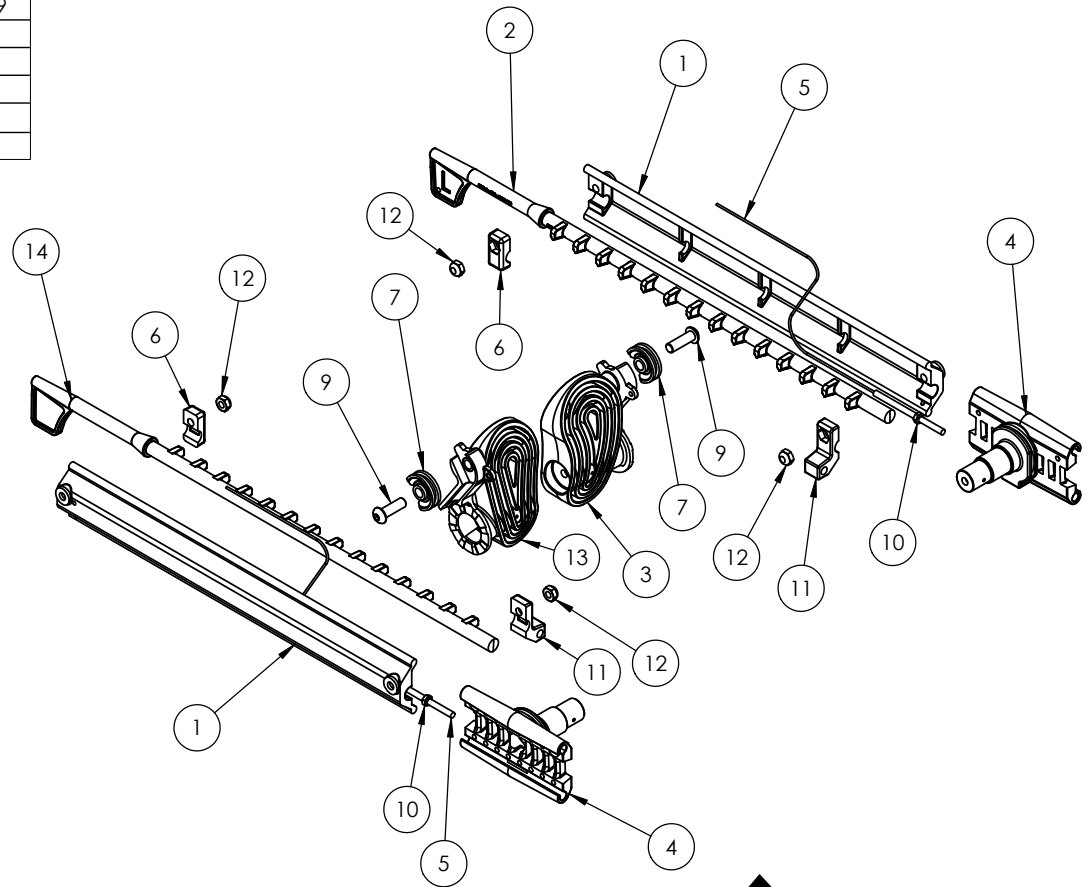


ITEM NO.	QTY.	PART #	REV	DESCRIPTION
1	2	RAIL A	B	0P74702, RAIL, BRACE, PEDAL, KAYAK
2	1	ROD FINAL BOTH	D	0P74703, RED, ROD, LOCK, LEFT
3	1	STEER PEDAL D	C	PEDAL, STEER, LEFT, SDOP74721
4	2	SLIDE MOUNT H	A	SLIDER, PEDAL, STEERING, SDOP74722
5	2	CABLE EXT	N/A	CABLE, CONTROL, RUDDER
6	2	CLAMP A	B	0P74701, CLAMP, ROD
7	2	BUSHING UPPER	C	CAM, CABLE, SS, SD0P74720A
8	2	5-16 INSERT	N/A	INSERT, THREADED, 5/16 - 18
9	2	5-16 BUTTON	N/A	5/16 - 18 X 1.00" BTNHD SCREW, SS, SEA009
10	2	3-16 NYLOCK	N/A	NUT, STOP, END, CABLE
11	2	CLAMP G 5-3-06	B	CLAMP, ROD
12	4	.250 - 20 NYLOCK	N/A	#.250 - 20 NYLOCK NUT
13	1	PEDAL D MIRROR	C	PEDAL, STEER, RIGHT, SDOP74720
14	1	ROD FINAL BOTH	D	0P74704, RED, ROD, LOCK, RIGHT



Sea-Lect Designs

Rudder Control Kayak Foot Brace

*Patent Pending



PO Box 67
Everett, Washington 98206
USA

Phone: 425.252.2149