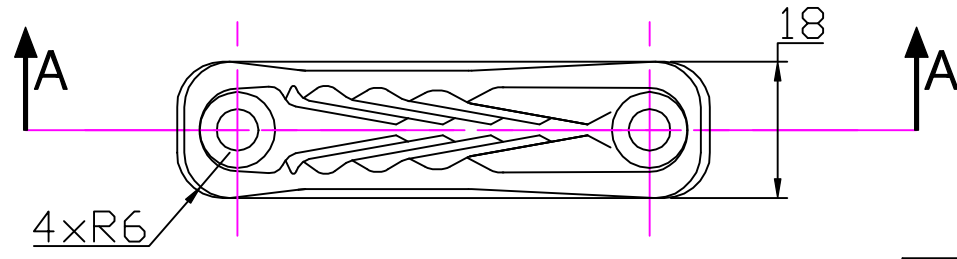
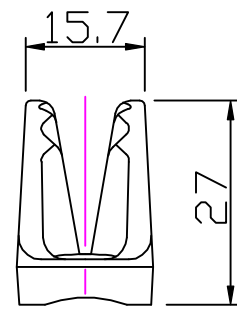
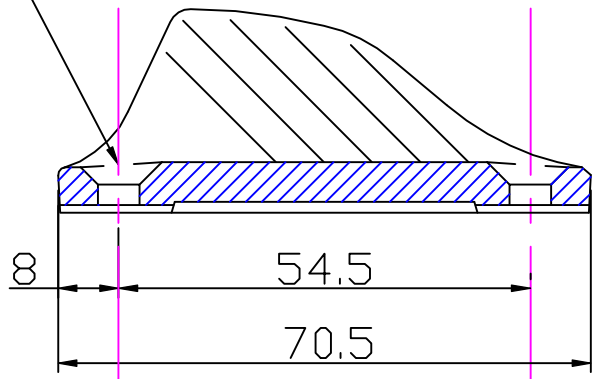
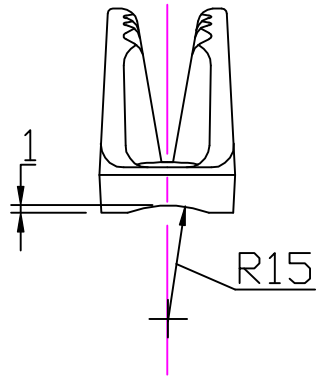


M5 4.8mm  $\phi 4 - 8\text{mm}$   
 3/16" No.10 3/16"-5/16"

Notes: -  
 For marine applications, use a silicone sealant or a bedding compound to avoid electrolytic action between the cleat and metal fastenings.

2 Holes  $\phi 5.5$   
 countersunk  $\phi 10.0 \times 90^\circ$

Section 'AA'



**Clamcleat®**  
 Rope cleats

Clamcleats Limited  
 Watchmead  
 Welwyn Garden City  
 Hertfordshire AL7 1AP  
 England

Telephone +44 (0)1707 330101  
 Fax +44 (0)1707 321269  
<http://www.clamcleat-rope-cleats.com>

Scale 1:1  
 All dimensions in mm.

Issue: 1.	Mar 1999
ID254.dwg	
Material: Diecast Aluminium	
Installation Drawing for:- <b>CL254</b> Racing Midi	