

SAIL	AREA	FOOT	LUFF	LEACH
MAIN SAIL	81.6 ft ² (7.58 m ²)	6'-1"	17'-11"-3/16 (545mm)	18'-2"-3/16 (531mm)
HEAD SAIL	33.7 ft ² (3.088 m ²)	5'-2"-1/2"	17'-6"-13/16 (535mm)	15'-4"-13/16 (468mm)

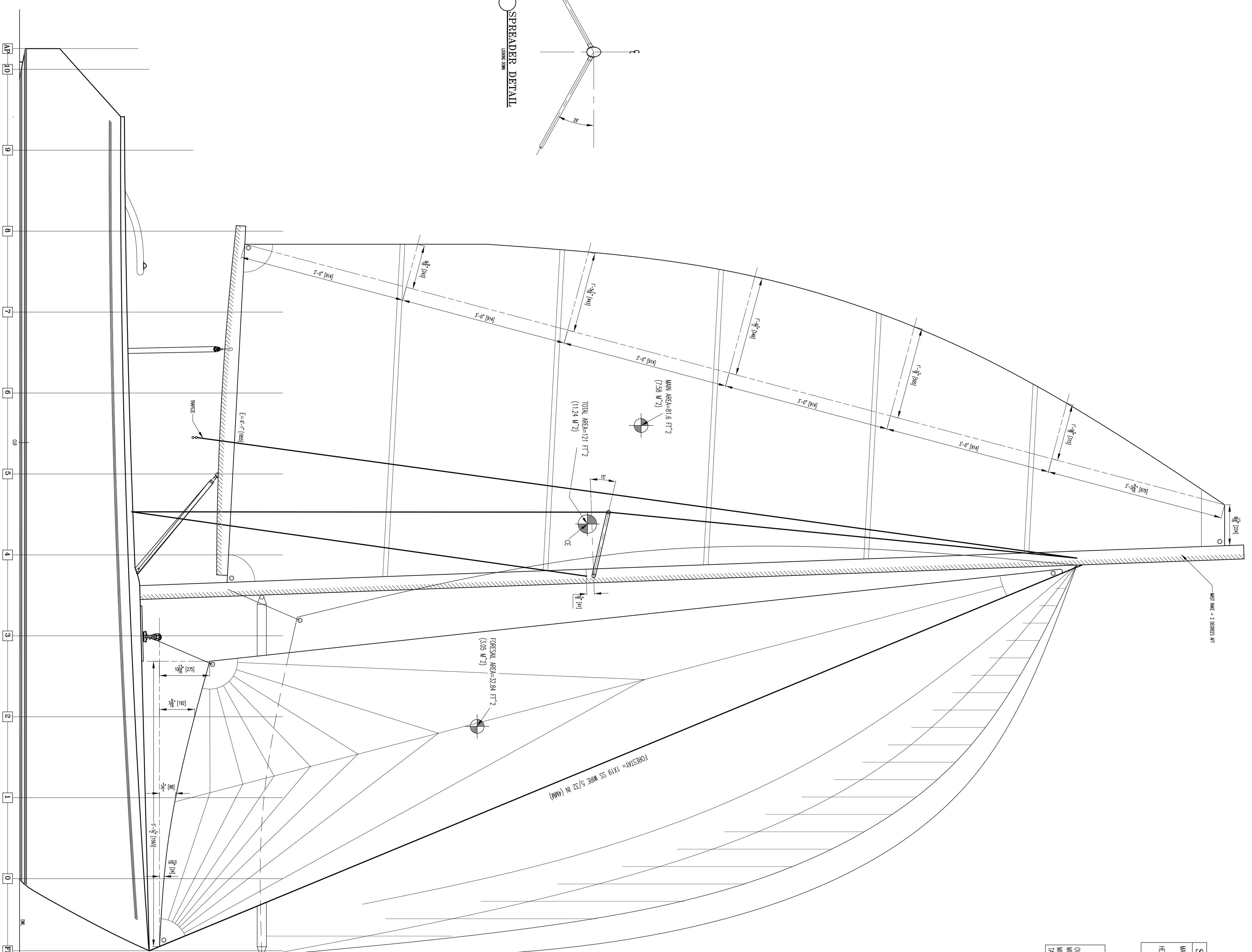
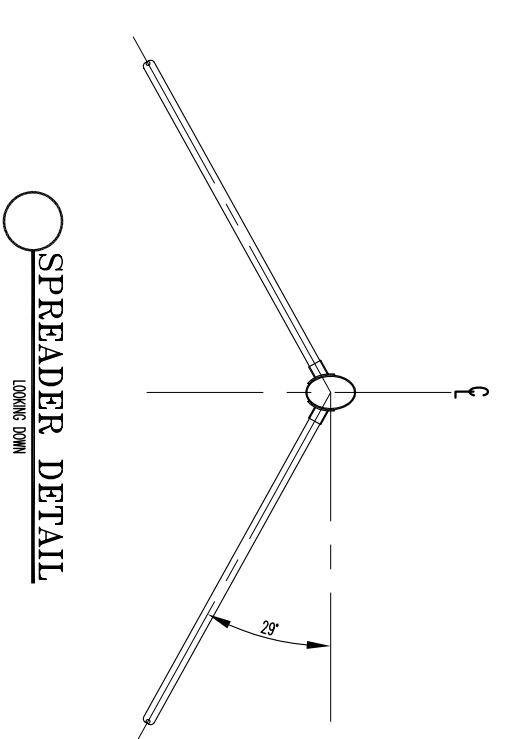
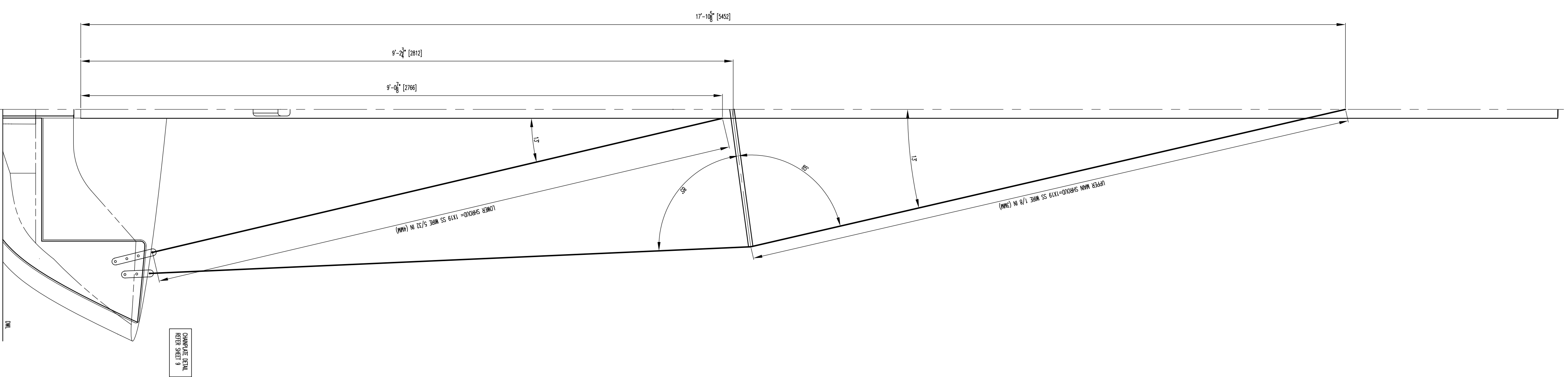
BOOM REQUIREMENTS

OVERALL LENGTH OF BOOM SECTION = 81'-5 1/2" (2483mm) (1919mm) (1684.0" boom x) (1684.0" boom x)
 MINIMUM MOMENTS OF INERTIA (SPREADER) SHALL BE 1.08 in⁴ (13543.0" boom x)
 MINIMUM MOMENTS OF INERTIA (HEAD) SHALL BE 1.08 in⁴ (13543.0" boom x)
 THESE BOOMS ARE PER SPAN MANUFACTURERS' PRACTICE IF REQUIRED

SPAR REQUIREMENTS

MAST:

LENGTH OF MAST OVERALL = 20'-10"-3/4" (6389mm)
 MINIMUM REQUIRED MOMENTS ARE:
 MY = 31.16 in⁴ (12841.0" boom x)
 MZ = 24.81 in⁴ (10240.0" boom x)
 THESE SPARS ARE PER SPAN MANUFACTURERS' PRACTICE IF REQUIRED
 SPAN SECTION SUPPLIED BY SPAN MANUFACTURER



GENERAL NOTES
 1. ALL DIMENSIONS SHOWN IN BRACKETS ARE IN MILLIMETERS.
 2. THE BUILDER MUST CHECK THE DIMENSIONS AND CONTENT GIVEN ON THE DRAWING AND ADVISE THE DESIGNER OF ANY DISCREPANCIES BEFORE COMMENCING CONSTRUCTION.

REF.	ORG. NO.	TITLE
Sheet 11	Mast, Chimney Details	
Sheet 10	Deck Hardware Layout	

Bovudage Marine Designs
 1252 Moorlands Rd
 Moorland, Qld. 4678
 Australia
 Ph: (07) 4156 1708
www.BovudageMarineDesigns.com.au

-Sail Plan-
 Sheet 2
SPORTZ 16

L.O.A.:	16ft	O.V.L.:	14ft-8in	Designed by	Mark Bovudage (MKDV)
Beam:	6ft-6in	Draft:	5-1/2"	Drawn by:	3/08
Drag No.	0040-66-SP			Scale:	1"=1ft
Date:	29/8/08				

This drawing is the property of Bovudage Marine Designs and is not to be used or reproduced in whole or in part, without written permission. © Copyright 2008

SECTION VIEW
 100% MIN.

PROFILE VIEW
 100% MIN.